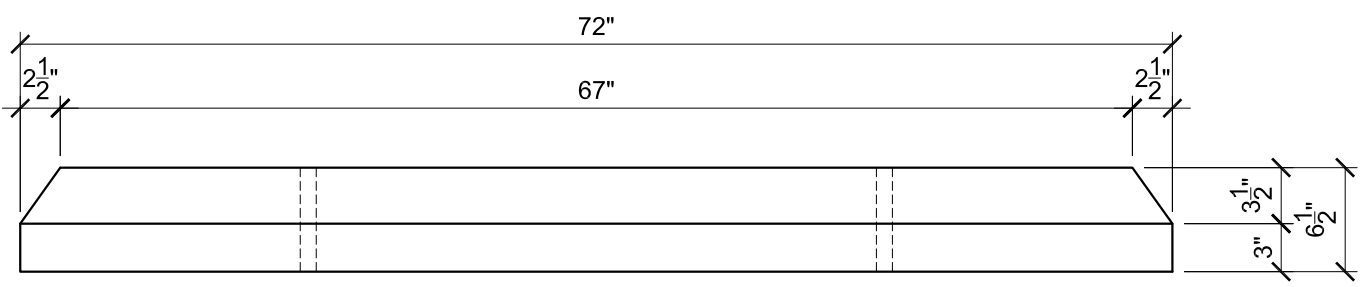
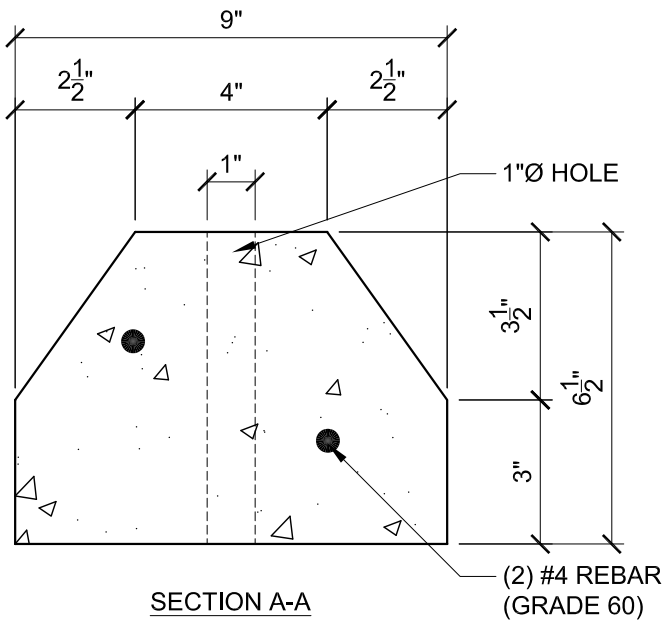


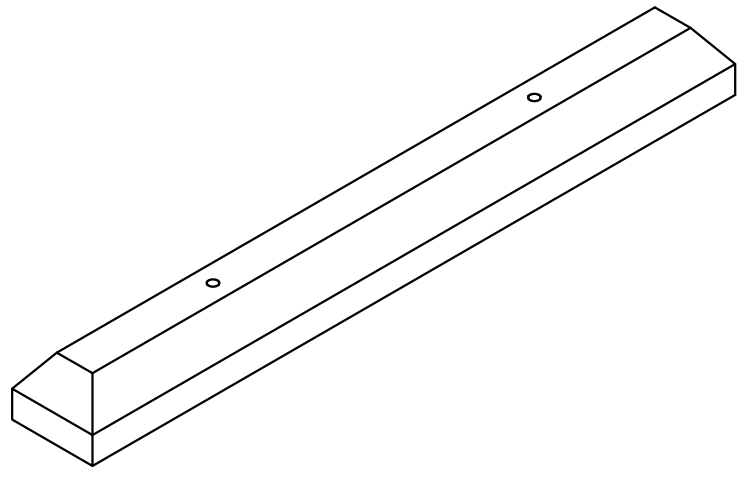
PLAN



ELEVATION



SECTION A-A



NOTES: 5500 PSI Air Entrained Concrete 306 lbs

Amazon Car Curb



Off-road traffic control

CURBO

Concrete Solutions

7 South Kinzer Rd. Ph: 717.442.CURB (2872)
 PO Box 132 Fax: 717.442.4873
 Kinzers, PA 17535 Web: www.curboparkingcurbs.com

DRAWING #: AZCAR
 DRAWN BY: CWW
 DATE: 06/18/21
 REVISED:
 BY: