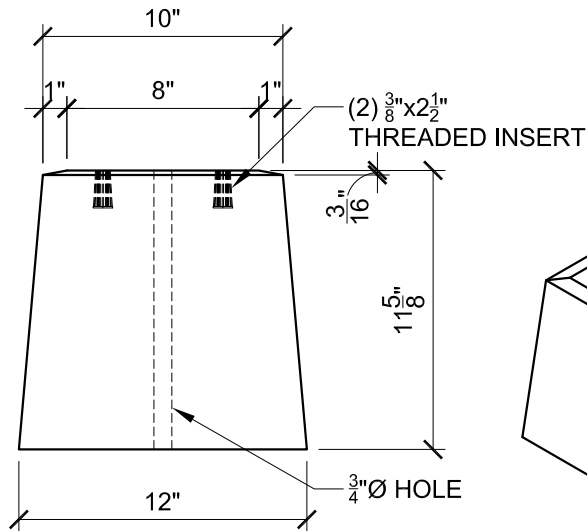
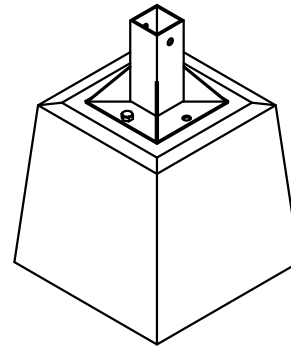


PLAN



ELEVATION



ISOMETRIC

NOTES: 1 Mold SS, 5000 PSI Wet Cast

Sign Base Small



7 South Kinzer Rd. Ph: 717.442.CURB (2872)  
 PO Box 132 Fax: 717.442.4873  
 Kinzers, PA 17535 Web: www.curboparkingcurbs.com

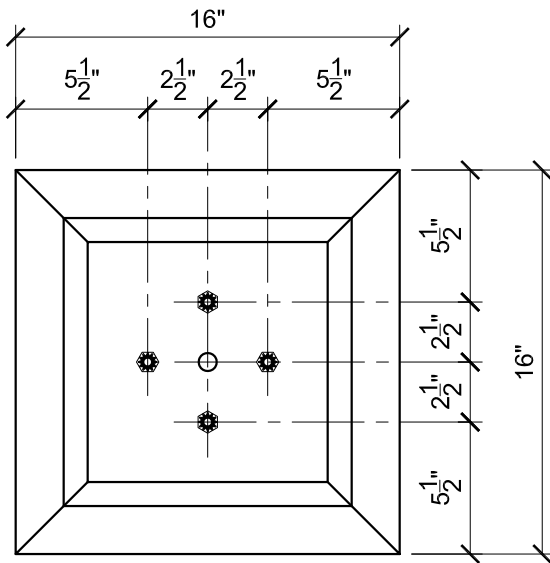
DRAWING #: SB1

DRAWN BY: CWW

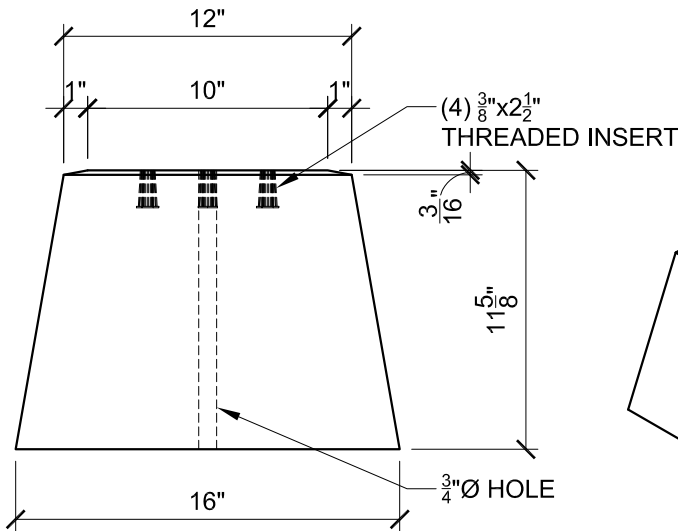
DATE: 06/05/19

REVISED:

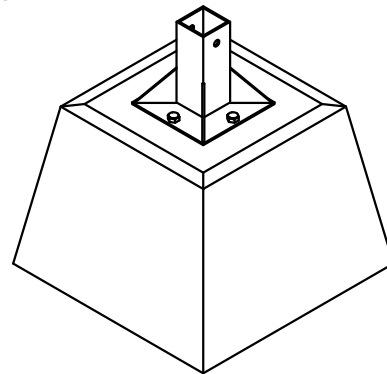
BY:



PLAN



ELEVATION



ISOMETRIC

NOTES: 5 Molds SS, 5000 PSI Wet Cast

Sign Base Medium



7 South Kinzer Rd. Ph: 717.442.CURB (2872)  
 PO Box 132 Fax: 717.442.4873  
 Kinzers, PA 17535 Web: www.curboparkingcurbs.com

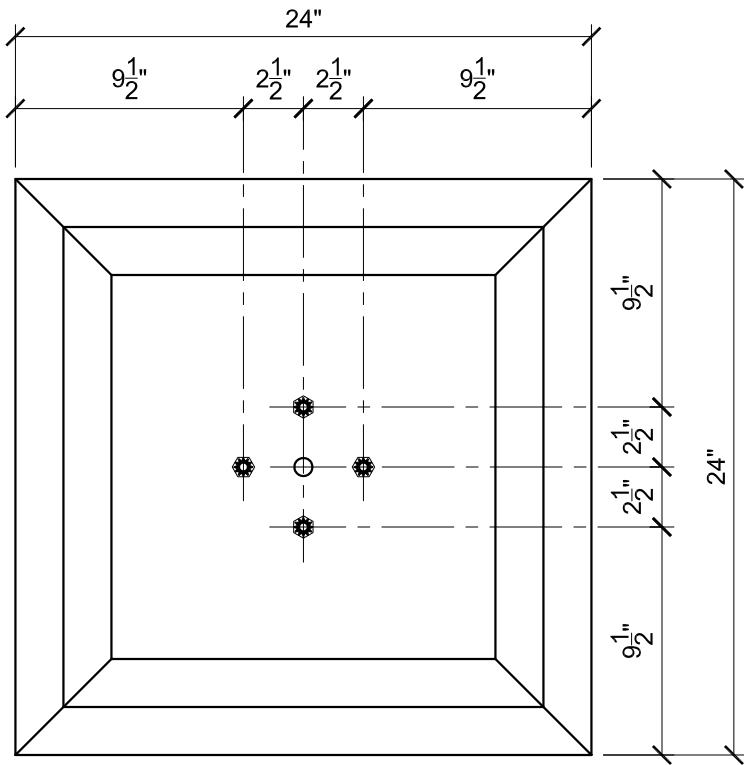
DRAWING #: SB2

DRAWN BY: CWW

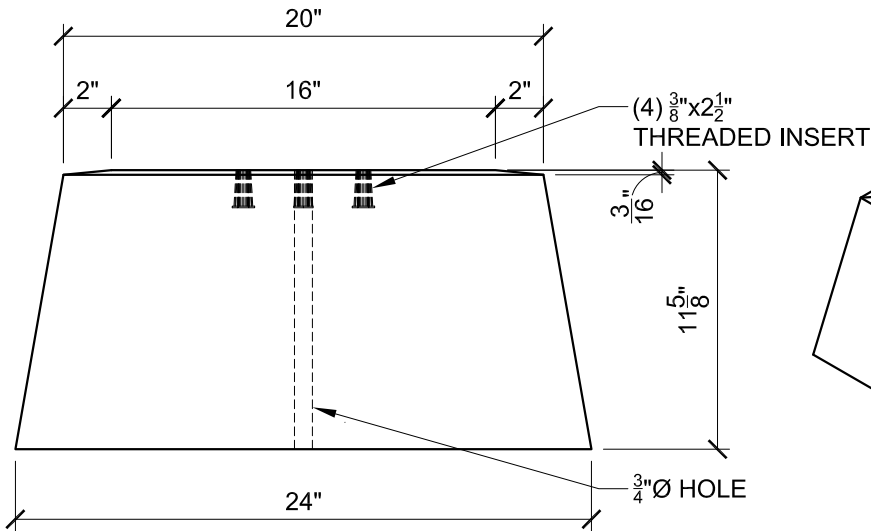
DATE: 06/05/19

REVISED:

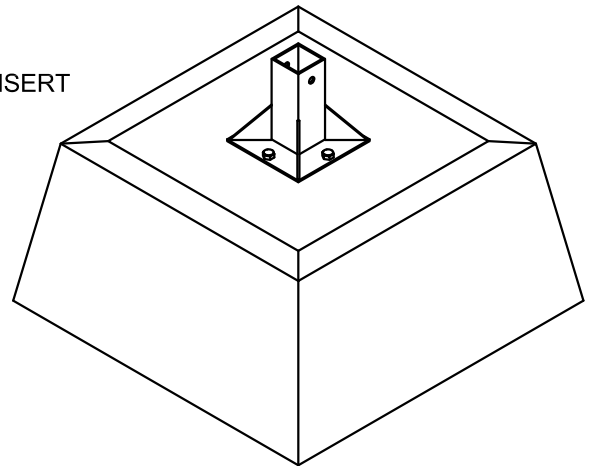
BY:



PLAN



ELEVATION



ISOMETRIC

NOTES: 1 Mold SS, 5000 PSI Wet Cast

Sign Base Large



7 South Kinzer Rd. Ph: 717.442.CURB (2872)  
 PO Box 132 Fax: 717.442.4873  
 Kinzers, PA 17535 Web: www.curboparkingcurbs.com

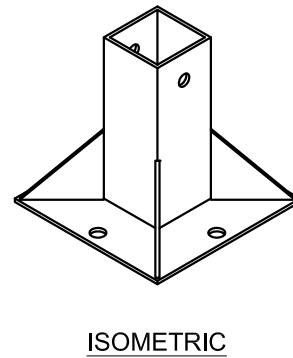
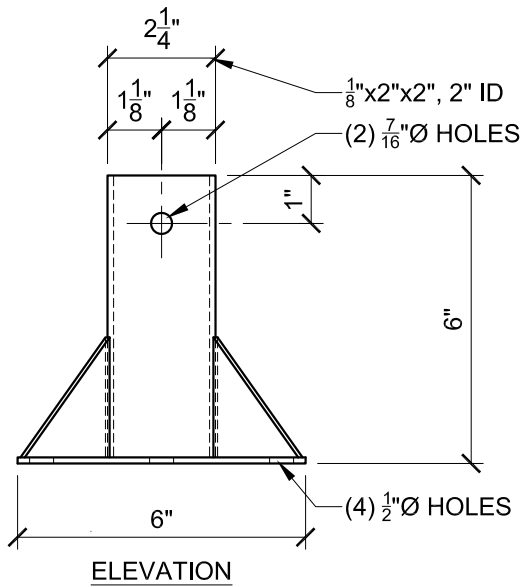
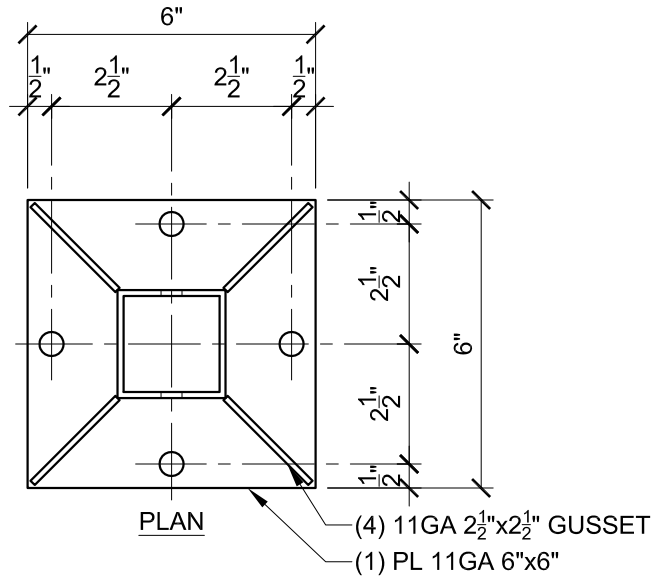
DRAWING #: SB3

DRAWN BY: CWW

DATE: 06/05/19

REVISED:

BY:



NOTES: Hot Dip Galvanized

Sign Post Mount, All Solid Welds



7 South Kinzer Rd. Ph: 717.442.CURB (2872)  
 PO Box 132 Fax: 717.442.4873  
 Kinzers, PA 17535 Web: www.curboparkingcurbs.com

DRAWING #: SMP galv

DRAWN BY: CWW

DATE: 06/05/19

REVISED:

BY: