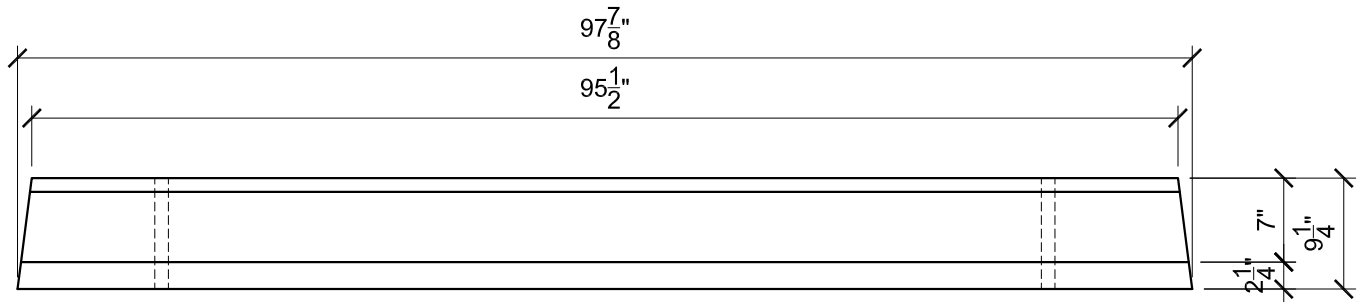
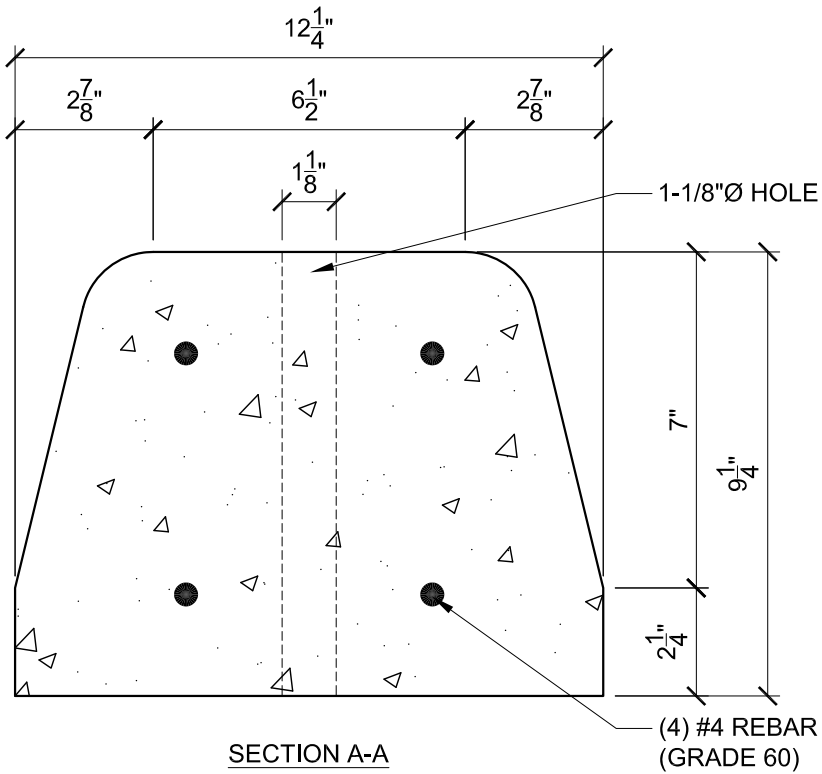


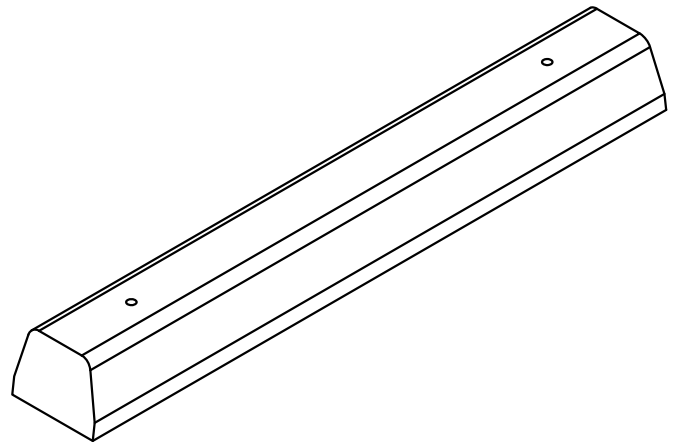
PLAN



ELEVATION



SECTION A-A



NOTES: 5500 PSI Air Entrained Concrete 805 lbs

Truck Monster



7 South Kinzer Rd. Ph: 717.442.CURB (2872)  
 PO Box 132 Fax: 717.442.4873  
 Kinzers, PA 17535 Web: www.curboparkingcurbs.com

DRAWING #: TCM1NS

DRAWN BY: CWW

DATE: 10/05/18

REVISED:

BY: