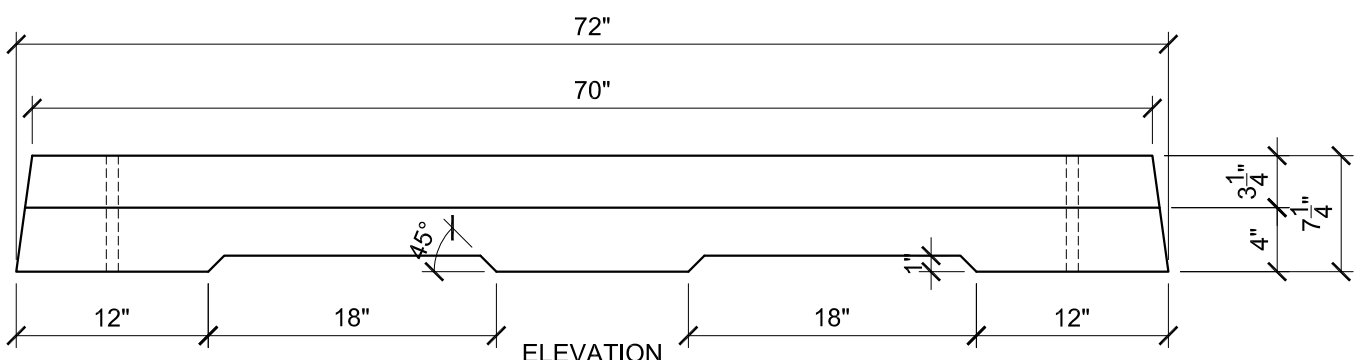
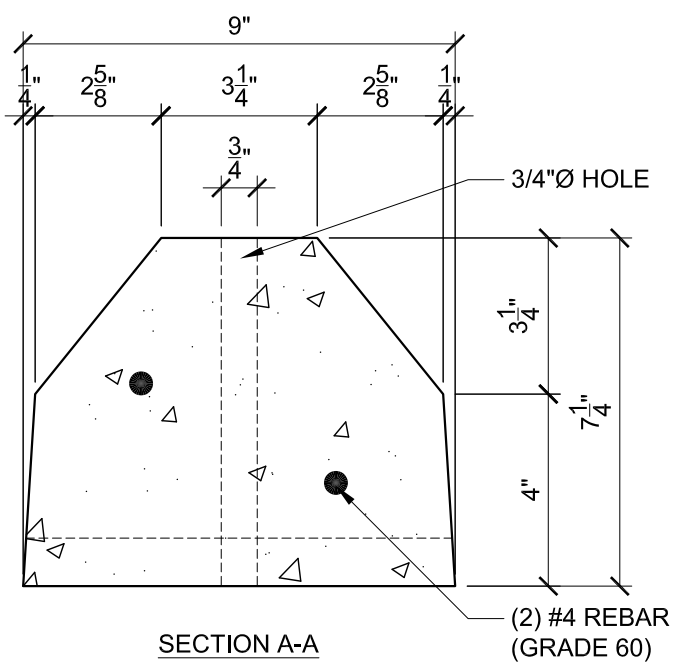


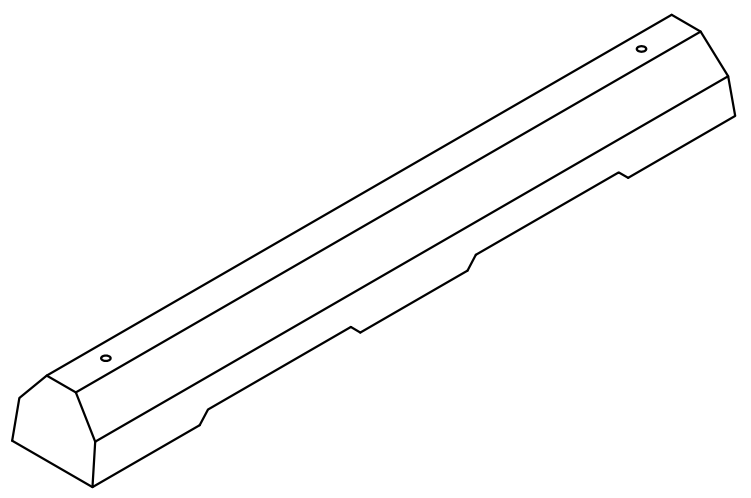
PLAN



ELEVATION



SECTION A-A



NOTES: 5500 PSI Air Entrained Concrete 305 lbs

Car Curb High



Off-road traffic control

# CURBO

Concrete Solutions

7 South Kinzer Rd. Ph: 717.442.CURB (2872)  
 PO Box 132 Fax: 717.442.4873  
 Kinzers, PA 17535 Web: www.curboparkingcurbs.com

DRAWING #: CH1  
 DRAWN BY: CWW  
 DATE: 10/05/18  
 REVISED:  
 BY: