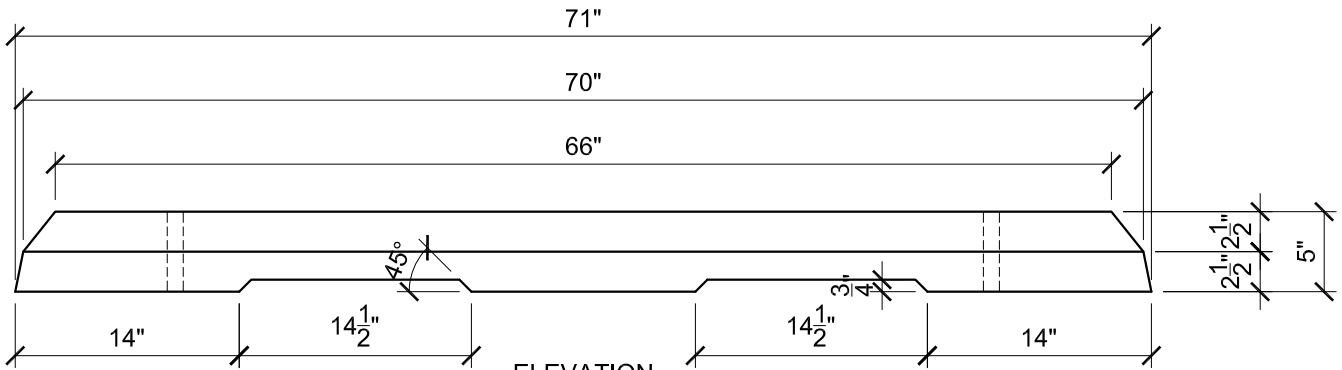
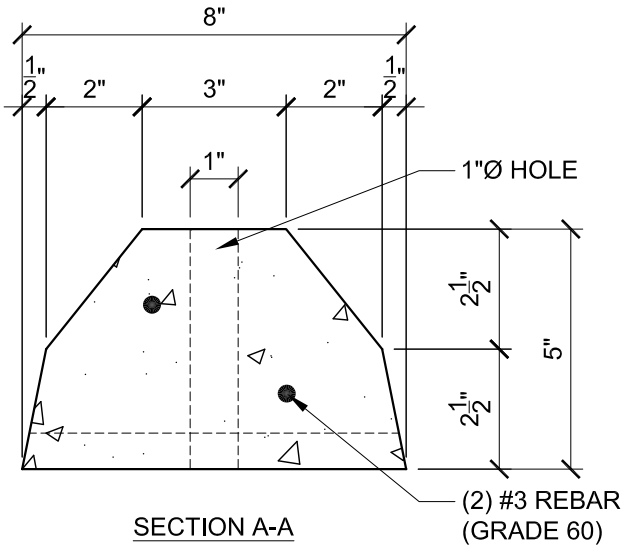


PLAN

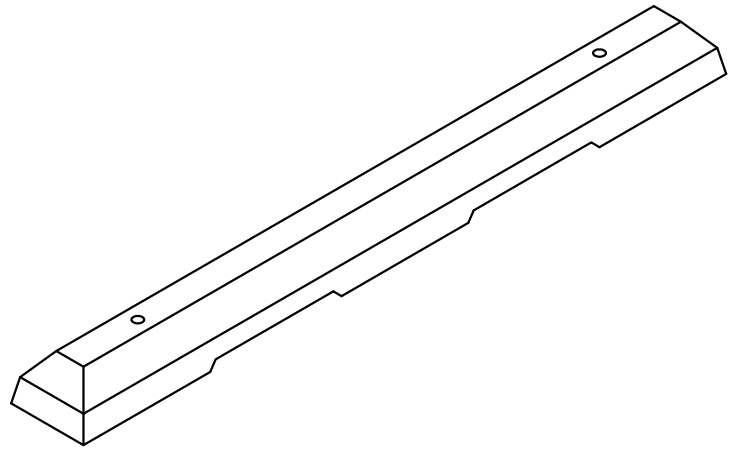


ELEVATION



SECTION A-A

(2) #3 REBAR
(GRADE 60)



NOTES: 5500 PSI Air Entrained Concrete 185 lbs

Car Curb Standard (Slotted)



7 South Kinzer Rd. Ph: 717.442.CURB (2872)
 PO Box 132 Fax: 717.442.4873
 Kinzers, PA 17535 Web: www.curboparkingcurbs.com

DRAWING #: CCSC1

DRAWN BY: CWW

DATE: 10/05/18

REVISED:

BY: